



Modular Cooking Range Line
thermaline 80 - 600 mm Cupboard base
with 1 door, GN conform, 1 Side (H2) -
H=550

ITEM # _____

MODEL # _____

NAME # _____

SIS # _____

AIA # _____



588225 (MAIDDAFOOO) Cupboard Base with 1 door,
one-side operated, GN - H2

Short Form Specification

Item No. _____

600 mm wide cupboard base with 1 door with hygienic design and round edges. Internal frame for heavy duty sturdiness in stainless steel. Flat surface construction, easily cleanable. Cupboard storage space accepts GN 1/1 containers. IPX5 water resistant certification. Configuration: One-side operated freestanding base, hygienic class H2.

Main Features

- Cupboard compartment for storage of pots, pans, sheet pans etc.
- All major components may be easily accessed from the front.
- THERMODUL connection system creates a seamless work top when units are connected to each other thus avoiding soil penetrating vital components and facilitating the removal of units in case of replacement or service.
- Unit constructed according to DIN 18860_2 with 70 mm recessed plinth.

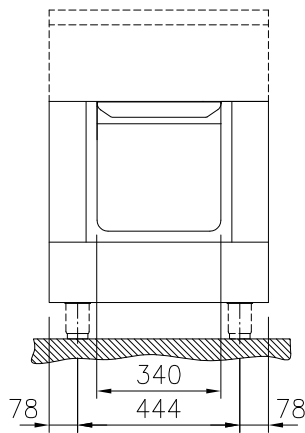
Construction

- IPX5 water resistance certification.
- Hygienic design of the base cupboard with large round edges.
- 2 mm top in 1.4301 (AISI 304).
- Flat surface construction with minimal hidden areas to easily clean all surfaces
- Storage space in the base of the appliance accepts GN1/1 containers.
- Internal frame for heavy duty sturdiness in stainless steel.

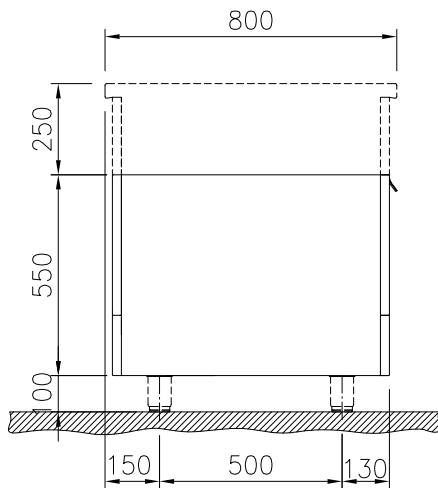
APPROVAL: _____



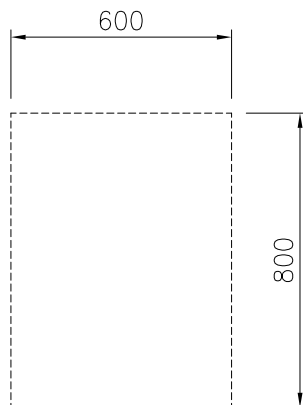
Front



Side



Top


Key Information:

| | |
|--------------------------------------|--------|
| External dimensions, Width: | |
| 588225 (MA1DDAFOOO) | 600 mm |
| External dimensions, Depth: | 800 mm |
| External dimensions, Height: | 550 mm |
| Cupboard Cavity Dimensions (width): | 340 mm |
| Cupboard Cavity Dimensions (height): | 330 mm |
| Cupboard Cavity Dimensions (depth): | 715 mm |
| Net weight: | 24 kg |

Optional Accessories

- Stainless steel side panel, 800x800mm, freestanding PNC 912508
 - Stainless steel front kicking strip, 600mm width PNC 912596
 - Stainless steel side kicking strips left and right, freestanding, 800mm width PNC 912619
 - Stainless steel side kicking strips left and right, against the wall, 800mm width PNC 912622
 - Stainless steel side kicking strips left and right, back-to-back, 1610mm width PNC 912625
 - Stainless steel plinth, against wall, 600mm width PNC 912804
 - Stainless steel plinth, freestanding, 600mm width PNC 912823
 - Stainless steel panel, 800x800mm, against wall, left side PNC 913094
 - Stainless steel panel, 800x800mm, flush-fitting, against wall, right side PNC 913098
 - Back panel, 600x450mm, for bases one-side operated PNC 913180
 - Stainless steel side panel, left, h=800 PNC 913216
 - Stainless steel side panel, right, h=800 PNC 913217
 - Perforated shelf for warming cabinets and cupboard bases (one-side operated TL80-85-90 and two-side operated for TL80) PNC 913233
 - Side reinforced panel only in combination with side shelf, for freestanding units PNC 913257
 - Side reinforced panel only in combination with side shelf for against the wall installations, left PNC 913264
 - Side reinforced panel only in combination with side shelf, for against the wall installations, right PNC 913266
 - Side reinforced panel only in combination with side shelf, for back-to-back installations, left PNC 913273
 - Side reinforced panel only in combination with side shelf, for back-to-back installation, right PNC 913274
 - Shelf fixation for TL80-85-90 one-side operated, TL80 two-side operated PNC 913279
 - Stainless steel dividing panel, 800x800mm, (it should only be used between Electrolux Professional thermaline Modular 80 and thermaline C80) PNC 913669
- Stainless steel side panel, 800x800mm, flush-fitting (it should only be used against the wall, against a niche and in between Electrolux Professional thermaline and ProThermetic appliances and external appliances - provided that these have at least the same dimensions) PNC 913685